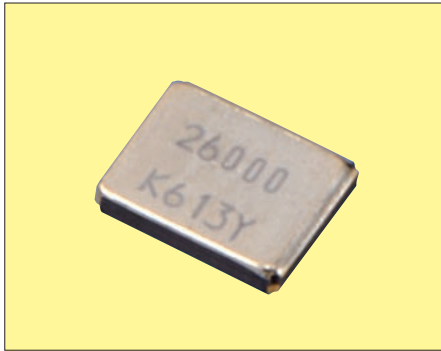


2.0×1.6mm for Audio & Visual, Office Equipment



Ph Free

RoHS Compliant

Features

- Crystal unit for audio-visual, office equipment
- Ultra-miniature and low profile (2.0×1.6×0.45mm)
- Ceramic package
- A lead free product
- Reflow compatible

Applications

- Digital Electronics
- Audio-Visual, Office Equipment

How to Order

CX2016SB 26000

① ② ③ ④ ⑤ ⑥ ⑦

- ① Series
- ② Frequency
- ③ Load Capacitance
- ④ Frequency Stability
- ⑤ Operating Temperature Range
- ⑥ Frequency Temperature Stability
- ⑦ Individual Specification

Specifications

Item	Symbol	Specification	Units	Remarks
Frequency Range	f _{nom}	20000 to 60000	kHz	
Overtone Order	OT	Fundamental	—	
Frequency Tolerance	f _{tol}	±50	×10 ⁻⁶	@ 25°C
Frequency Temp. Characteristics	f _{tem}	±50	×10 ⁻⁶	ref. @ 25°C Over Operating Temp. Range
Motional Series Resistance	R1	Table 1	ohm	
Level of Drive	DL	Table 2	μW	
Load Capacitance	CL	8	pF	
Operating Temp. Range	T _{use}	-10 to +70	°C	
Storage Temp. Range	T _{stg}	-40 to +85	°C	

* Please inquire about specifications other than the above.

Typical Frequencies

Code	Frequency (kHz)
20000	20000.000
24000	24000.000
24576	24576.000
27000	27000.000
27120	27120.000
30000	30000.000
32000	32000.000
40000	40000.000
48000	48000.000
54000	54000.000

Table1 Motional Series Resistances

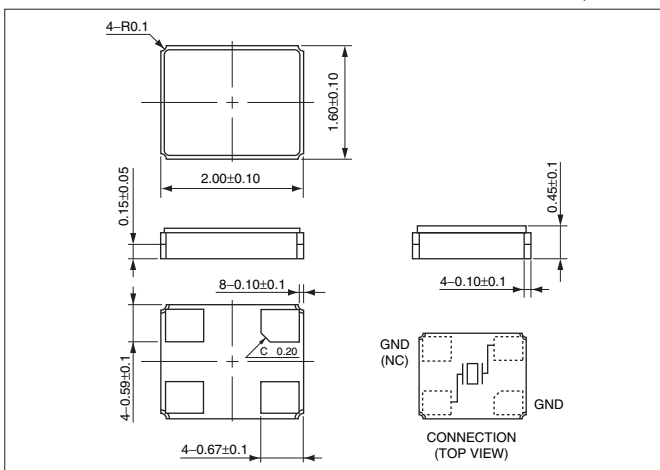
Frequency Range	Motional Series Resistance	Units
20000 to 25999kHz	200 max.	ohm
26000 to 39999kHz	100 max.	
40000 to 60000kHz	50 max.	

Table2 Level of Drive

Frequency Range	Level of Drive	Units
20000 to 60000kHz	10 (100 max.)	μW

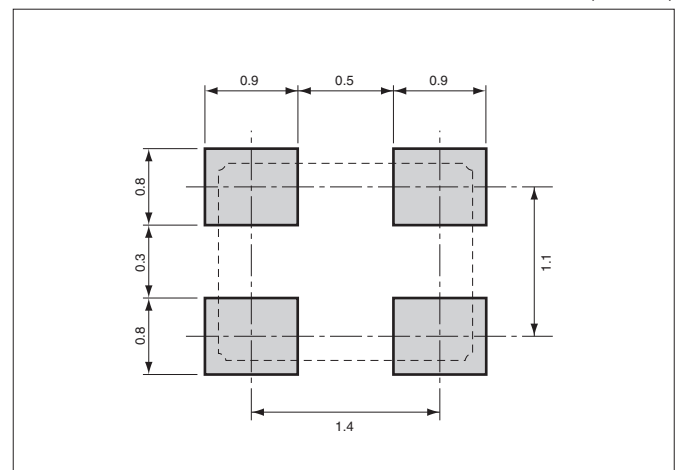
Dimensions

(Unit: mm)



Recommended Land Pattern

(Unit: mm)



2.0×1.6mm for Mobile Communications, Bluetooth



Ph Free

RoHS Compliant

Features

- Reference frequency for telecommunication systems
- Reflow compatible
- Using ceramic package resulting in high reliability
- Small and low profile

Applications

- Mobile Communications, Bluetooth, Wireless LAN

How to Order

CX2016SB 26000

① ② ③ ④ ⑤ ⑥ ⑦

- ① Series
- ② Frequency
- ③ Load Capacitance
- ④ Frequency Stability
- ⑤ Operating Temperature Range
- ⑥ Frequency Temperature Stability
- ⑦ Individual Specification

Specifications

Item	Symbol	Specification	Units	Remarks
Frequency Range	f _{nom}	26000 to 60000	kHz	
Overtone Order	OT	Fundamental	—	
Frequency Tolerance	f _{tol}	±10	×10 ⁻⁶	@ 25°C
Frequency Temp. Characteristics	f _{tem}	±15	×10 ⁻⁶	ref. @ 25°C Over Operating Temp. Range
Motional Series Resistance	R1	Table 1	ohm	
Level of Drive	DL	Table 2	μW	
Load Capacitance	CL	8	pF	
Operating Temp. Range	T _{use}	-30 to +85	°C	
Storage Temp. Range	T _{stg}	-40 to +85	°C	

* Please inquire about specifications other than the above.

Typical Frequencies

Code	Frequency (kHz)
26000	26000.000
27120	27120.000
32000	32000.000
36000	36000.000
38400	38400.000
40000	40000.000
44000	44000.000
52000	52000.000

Table1 Motional Series Resistances

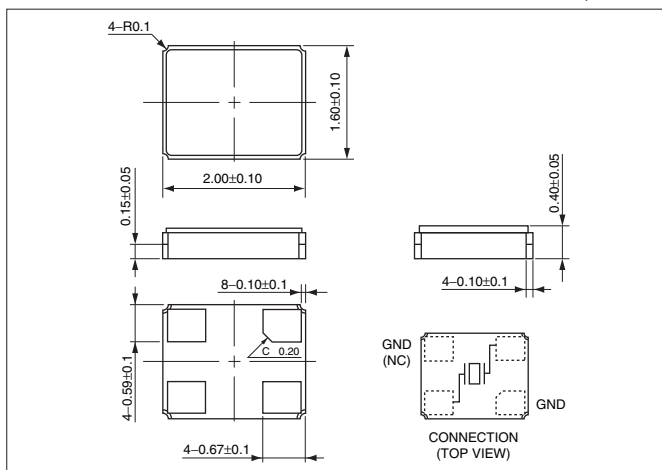
Frequency Range	Motional Series Resistance	Units
26000 to 39999kHz	100 max.	ohm
40000 to 60000kHz	50 max.	

Table2 Level of Drive

Frequency Range	Level of Drive	Units
26000 to 60000kHz	10 (100 max.)	μW

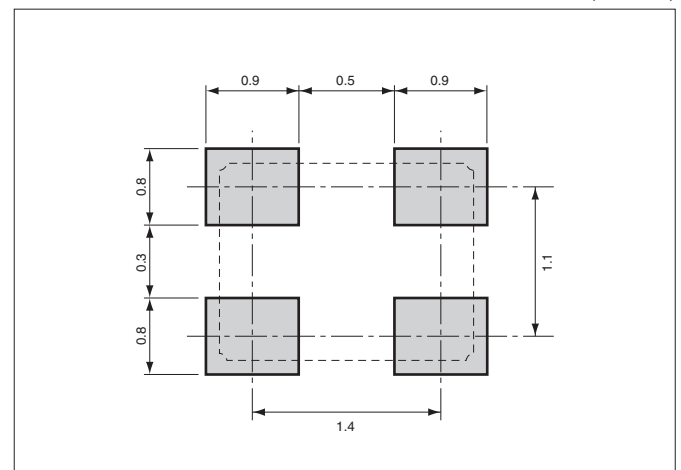
Dimensions

(Unit: mm)

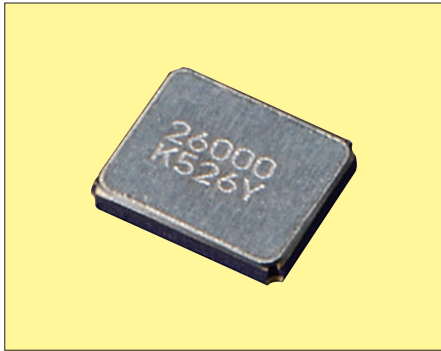


Recommended Land Pattern

(Unit: mm)



2.5×2.0mm for Audio & Visual, Office Equipment



Ph Free

RoHS Compliant

Features

- Crystal unit for audio-visual, office equipment
- Ultra-miniature and low profile (2.5×2.0×0.45mm)
- Ceramic package
- A lead free product
- Reflow compatible

Applications

- Digital Electronics
- Audio-Visual, Office Equipment

How to Order

CX2520SB 27000

① ② ③ ④ ⑤ ⑥ ⑦

- ① Series
- ② Frequency
- ③ Load Capacitance
- ④ Frequency Stability
- ⑤ Operating Temperature Range
- ⑥ Frequency Temperature Stability
- ⑦ Individual Specification

Specifications

Item	Symbol	Specification	Units	Remarks
Frequency Range	f _{nom}	13560 to 60000	kHz	
Overtone Order	OT	Fundamental	—	
Frequency Tolerance	f _{tol}	±50	×10 ⁻⁶	@ 25°C
Frequency Temp. Characteristics	f _{tem}	±50	×10 ⁻⁶	ref. @ 25°C Over Operating Temp. Range
Motional Series Resistance	R1	Table 1	ohm	
Level of Drive	DL	Table 2	μW	
Load Capacitance	CL	8	pF	
Operating Temp. Range	T _{use}	-10 to +70	°C	
Storage Temp. Range	T _{stg}	-40 to +85	°C	

* Please inquire about specifications other than the above.

Typical Frequencies

Code	Frequency (kHz)
13560	13560.000
16000	16000.000
18000	18000.000
20000	20000.000
24000	24000.000
26000	26000.000
27000	27000.000
27120	27120.000
30000	30000.000
32000	32000.000
33000	33000.000
33333	33333.000
40000	40000.000
48000	48000.000
54000	54000.000

Table1 Motional Series Resistances

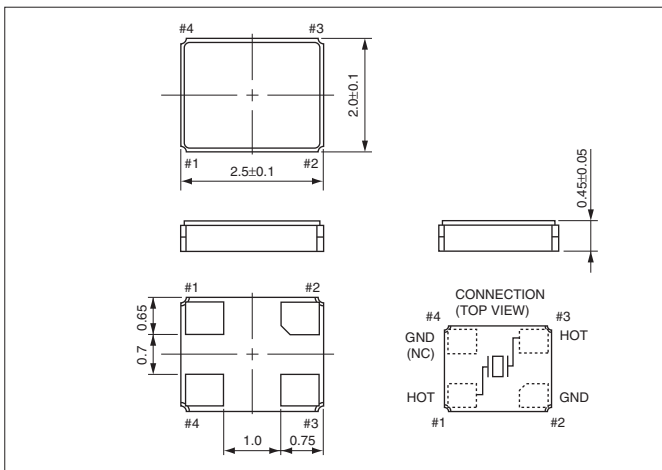
Frequency Range	Motional Series Resistance	Units
13560 to 15999kHz	300 max.	ohm
16000 to 19999kHz	150 max.	
20000 to 39999kHz	100 max.	
40000 to 60000kHz	50 max.	

Table2 Level of Drive

Frequency Range	Level of Drive	Units
13560 to 60000kHz	10 (100 max.)	μW

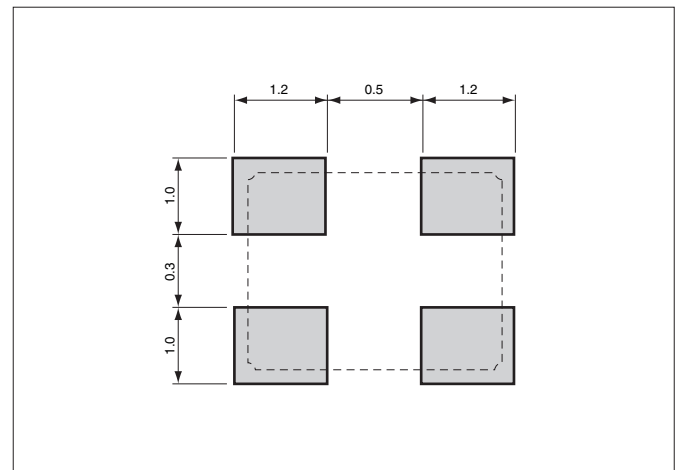
Dimensions

(Unit: mm)



Recommended Land Pattern

(Unit: mm)



2.5×2.0mm for Mobile Communications, SRWI



Ph Free

RoHS Compliant

Features

- Reference frequency for telecommunication systems
- Reflow compatible
- Using ceramic package resulting in high reliability
- Small and low profile

Applications

- Mobile Communications, Bluetooth, Wireless LAN

How to Order

CX2520SB 32000

① ② ③ ④ ⑤ ⑥ ⑦

- ① Series
- ② Frequency
- ③ Load Capacitance
- ④ Frequency Stability
- ⑤ Operating Temperature Range
- ⑥ Frequency Temperature Stability
- ⑦ Individual Specification

Specifications

Item	Symbol	Specification	Units	Remarks
Frequency Range	f _{nom}	16000 to 60000	kHz	
Overtone Order	OT	Fundamental	—	
Frequency Tolerance	f _{tol}	±10	×10 ⁻⁶	@ 25°C
Frequency Temp. Characteristics	f _{tem}	±15	×10 ⁻⁶	ref. @ 25°C Over Operating Temp. Range
Motional Series Resistance	R1	Table 1	ohm	
Level of Drive	DL	Table 2	μW	
Load Capacitance	CL	8	pF	
Operating Temp. Range	T _{use}	-30 to +85	°C	
Storage Temp. Range	T _{stg}	-40 to +85	°C	

* Please inquire about specifications other than the above.

Typical Frequencies

Code	Frequency (kHz)
16000	16000.000
18000	18000.000
19200	19200.000
24000	24000.000
26000	26000.000
27120	27120.000
32000	32000.000
38400	38400.000
40000	40000.000
44000	44000.000

Table1 Motional Series Resistances

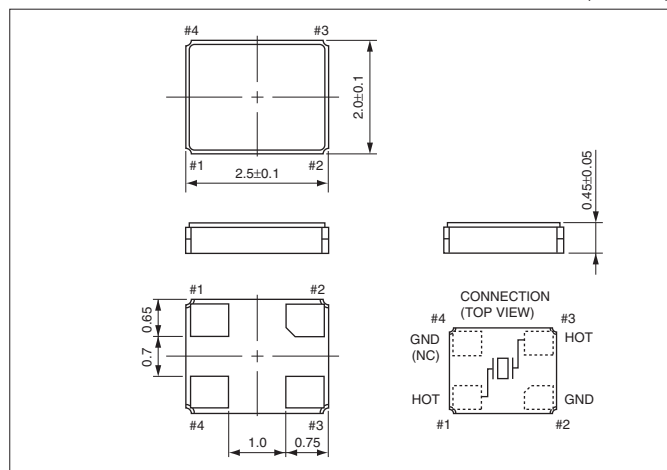
Frequency Range	Motional Series Resistance	Units
16000 to 19999kHz	150 max.	ohm
20000 to 39999kHz	100 max.	
40000 to 60000kHz	50 max.	

Table2 Level of Drive

Frequency Range	Level of Drive	Units
16000 to 60000kHz	10 (100 max.)	μW

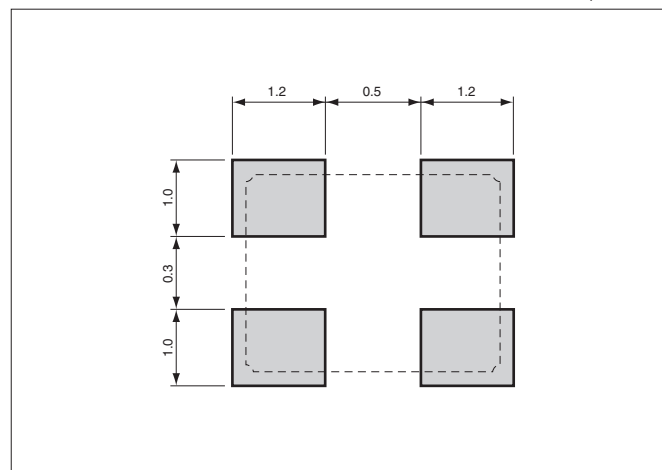
Dimensions

(Unit: mm)



Recommended Land Pattern

(Unit: mm)



3.2×2.5mm for Audio & Visual, Office Equipment



Ph Free

RoHS Compliant

Features

- Crystal unit for audio-visual, office equipment
- Miniature and low profile (3.2×2.5×0.55mm)
- Ceramic package
- A lead free product
- Reflow compatible

Applications

- Digital Electronics
- Audio-Visual, Office Equipment

How to Order

CX3225SB 24000

① ② ③ ④ ⑤ ⑥ ⑦

- ① Series
- ② Frequency
- ③ Load Capacitance
- ④ Frequency Stability
- ⑤ Operating Temperature Range
- ⑥ Frequency Temperature Stability
- ⑦ Individual Specification

Specifications

Item	Symbol	Specification	Units	Remarks
Frequency Range	f _{nom}	12000 to 54000	kHz	
Overtone Order	OT	Fundamental	—	
Frequency Tolerance	f _{tol}	±50	×10 ⁻⁶	@ 25°C
Frequency Temp. Characteristics	f _{tem}	±50	×10 ⁻⁶	ref. @ 25°C Over Operating Temp. Range
Motional Series Resistance	R1	Table 1	ohm	
Level of Drive	DL	Table 2	μW	
Load Capacitance	CL	8	pF	
Operating Temp. Range	T _{use}	-10 to +70	°C	
Storage Temp. Range	T _{stg}	-40 to +85	°C	

* Please inquire about specifications other than the above.

Table1 Motional Series Resistances

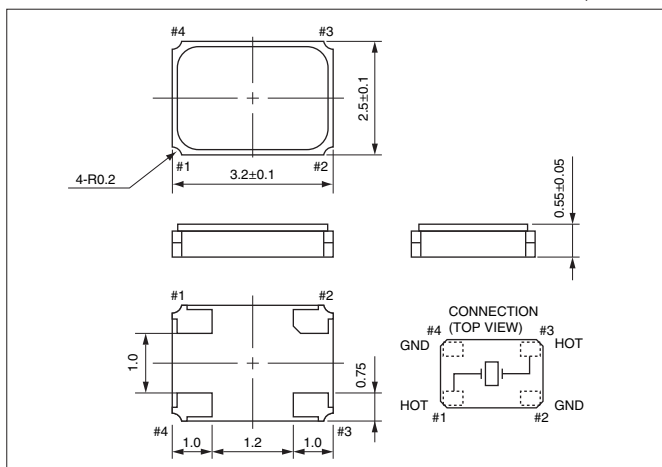
Frequency Range	Motional Series Resistance	Units
12000 to 13999kHz	300 max.	ohm
14000 to 15999kHz	200 max.	
16000 to 26999kHz	100 max.	
27000 to 54000kHz	50 max.	

Table2 Level of Drive

Frequency Range	Level of Drive	Units
12000 to 54000kHz	10 (100 max.)	μW

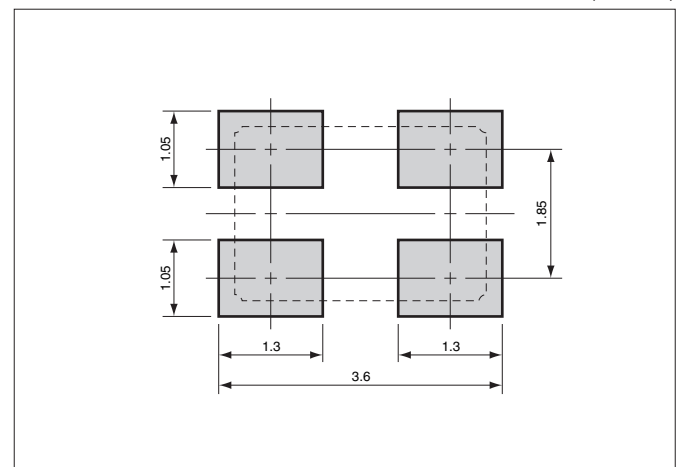
Dimensions

(Unit: mm)



Recommended Land Pattern

(Unit: mm)



3.2×2.5mm for Mobile Communications, SRWI



Ph Free

RoHS Compliant

Features

- Reference frequency for telecommunication systems
- Reflow compatible
- Using ceramic package resulting in high reliability
- Small and low profile

Applications

- Mobile Communications, Bluetooth, Wireless LAN

How to Order

CX3225SB 26000

① ② ③ ④ ⑤ ⑥ ⑦

- ① Series
- ② Frequency
- ③ Load Capacitance
- ④ Frequency Stability
- ⑤ Operating Temperature Range
- ⑥ Frequency Temperature Stability
- ⑦ Individual Specification

Typical Frequencies

Code	Frequency (kHz)
12000	12000.000
13000	13000.000
13560	13560.000
16000	16000.000
19200	19200.000
20000	20000.000
26000	26000.000
32000	32000.000
38400	38400.000
40000	40000.000

Specifications

Item	Symbol	Specification	Units	Remarks
Frequency Range	f _{nom}	12000 to 54000	kHz	
Overtone Order	OT	Fundamental	—	
Frequency Tolerance	f _{tol}	±10	×10 ⁻⁶	@ 25°C
Frequency Temp. Characteristics	f _{tem}	±15	×10 ⁻⁶	ref. @ 25°C Over Operating Temp. Range
Motional Series Resistance	R1	Table 1	ohm	
Level of Drive	DL	Table 2	μW	
Load Capacitance	CL	8	pF	
Operating Temp. Range	T _{use}	-30 to +85	°C	
Storage Temp. Range	T _{stg}	-40 to +85	°C	

* Please inquire about specifications other than the above.

Table1 Motional Series Resistances

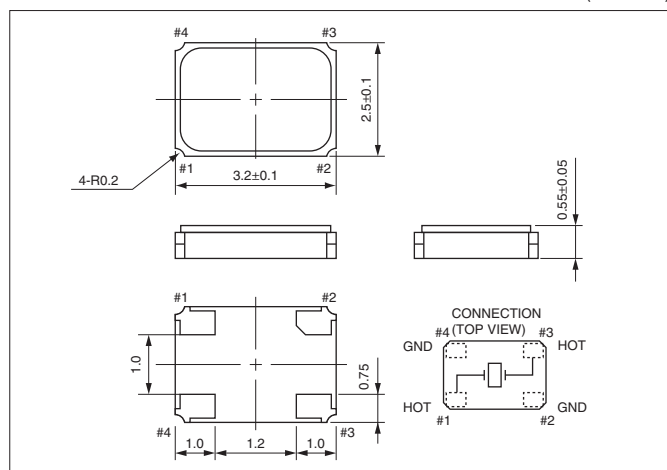
Frequency Range	Motional Series Resistance	Units
12000 to 13999kHz	300 max.	ohm
14000 to 15999kHz	200 max.	
16000 to 26999kHz	100 max.	
27000 to 54000kHz	50 max.	

Table2 Level of Drive

Frequency Range	Level of Drive	Units
12000 to 54000kHz	10 (100 max.)	μW

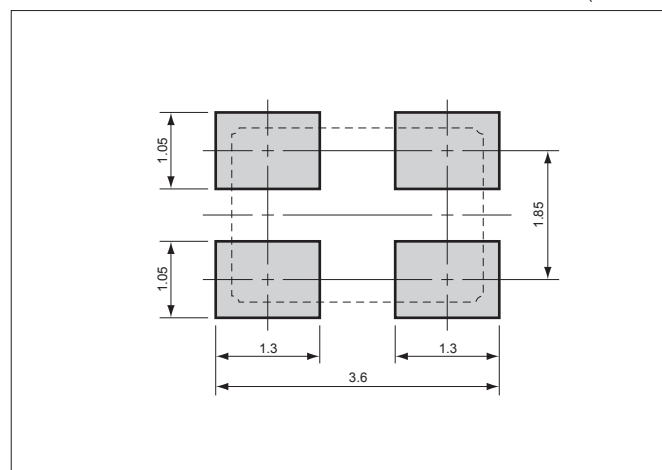
Dimensions

(Unit: mm)



Recommended Land Pattern

(Unit: mm)



5.0×3.2mm for Mobile Communications, SRWI



Ph Free

RoHS Compliant

Features

- Reference frequency for telecommunication systems
- Reflow compatible
- Using ceramic package resulting in high reliability
- Small and low profile

Applications

- Mobile Communications, Bluetooth, Wireless LAN

How to Order

CX5032SB 26000

① ② ③ ④ ⑤ ⑥ ⑦

- ① Series
- ② Frequency
- ③ Load Capacitance
- ④ Frequency Stability
- ⑤ Operating Temperature Range
- ⑥ Frequency Temperature Stability
- ⑦ Individual Specification

Specifications

Item	Symbol	Specification	Units	Remarks
Frequency Range	f _{nom}	9843.75 to 49999	50 to 120 (MHz)	kHz
Overtone Order	OT	Fundamental	3rd Overtone	—
Frequency Tolerance	f _{tol}	±10	×10 ⁻⁶	@ 25°C
Frequency Temp. Characteristics	f _{tem}	±15	×10 ⁻⁶	ref. @ 25°C Over Operating Temp. Range
Motional Series Resistance	R1	Table 1	ohm	
Level of Drive	DL	Table 2	μW	
Load Capacitance	CL	10	pF	
Operating Temp. Range	T _{use}	-30 to +85	°C	
Storage Temp. Range	T _{stg}	-40 to +85	°C	

* Please inquire about specifications other than the above.

Table1 Motional Series Resistances

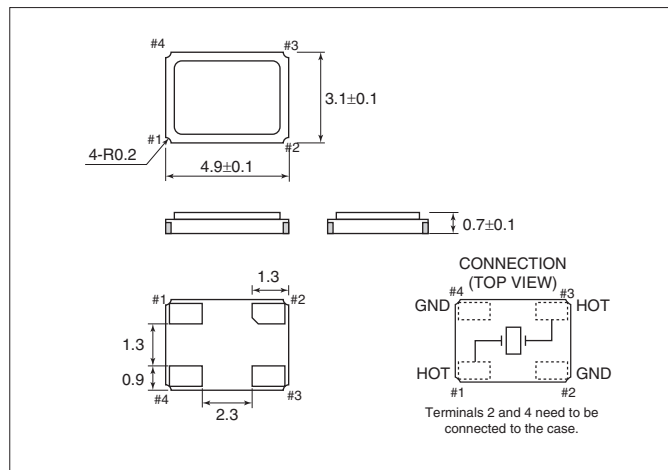
Frequency Range	Motional Series Resistance	Units
9843.75 to 9999kHz	150 max.	ohm
10000 to 11999kHz	80 max.	
12000 to 25999kHz	50 max.	
26000 to 49999kHz	40 max.	
50 to 120 (MHz)	80 max.	

Table2 Level of Drive

Frequency Range	Level of Drive	Units
9843.75 to 49999kHz	10 (100 max.)	μW
50 to 120 (MHz) (3rd O.T)	10 (100 max.)	

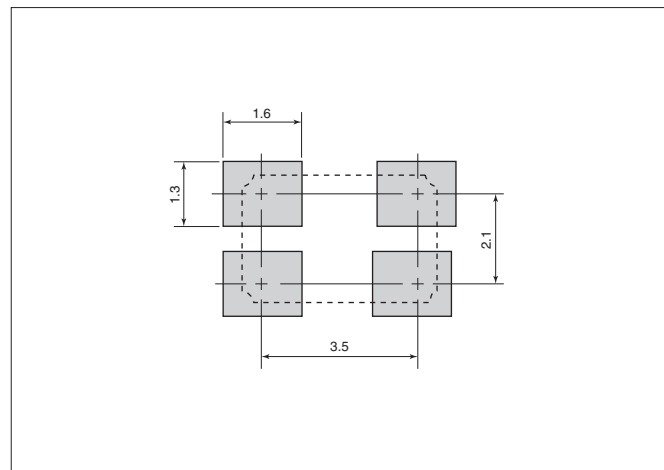
Dimensions

(Unit: mm)



Recommended Land Pattern

(Unit: mm)



5.0×3.2mm for Audio & Visual, Office Equipment



RoHS Compliant

Features

- Crystal unit for audio-visual, office equipment
- Small and low profile (5.0×3.2×1.0mm)
- Ceramic package
- Product with lead free terminations
- Reflow compatible

Applications

- Digital Electronics
- Audio-Visual, Office Equipment

How to Order

CX5032GB 48000

① ② ③ ④ ⑤ ⑥ ⑦

- ① Series
- ② Frequency
- ③ Load Capacitance
- ④ Frequency Stability
- ⑤ Operating Temperature Range
- ⑥ Frequency Temperature Stability
- ⑦ Individual Specification

Typical Frequencies

Code	Frequency (kHz)
10000	10000.000
12000	12000.000
14318	14318.180
14745	14745.600
16934	16934.400
18432	18432.000
22579	22579.200
24000	24000.000
24545	24545.450
24576	24576.000
27000	27000.000
36000	36000.000
48000	48000.000
54000	54000.000

Specifications

Item	Symbol	Specification	Units	Remarks
Frequency Range	f _{nom}	8000 to 54000	kHz	
Overtone Order	OT	Fundamental	—	
Frequency Tolerance	f _{tol}	±50	×10 ⁻⁶	@ 25°C
Frequency Temp. Characteristics	f _{tem}	±50	×10 ⁻⁶	ref. @ 25°C Over Operating Temp. Range
Motional Series Resistance	R1	Table 1	ohm	
Level of Drive	DL	Table 2	μW	
Load Capacitance	CL	12	pF	
Operating Temp. Range	T _{use}	-10 to +70	°C	
Storage Temp. Range	T _{stg}	-40 to +85	°C	

* Please inquire about specifications other than the above.

Table1 Motional Series Resistances

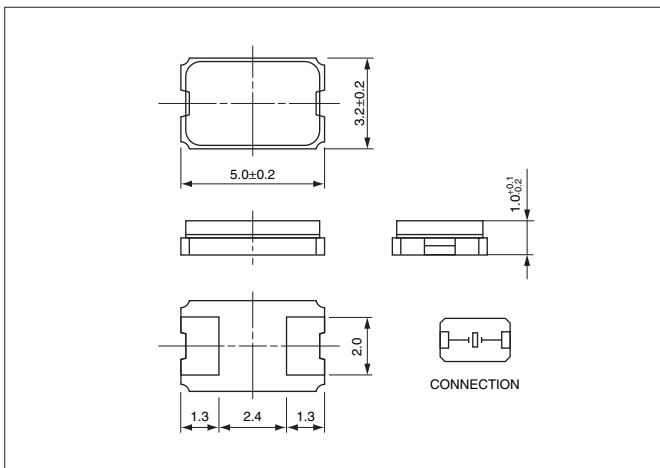
Frequency Range	Motional Series Resistance	Units
8000 to 9999kHz	300 max.	ohm
10000 to 11999kHz	200 max.	
12000 to 13999kHz	150 max.	
14000 to 29999kHz	100 max.	
30000 to 54000kHz	50 max.	

Table2 Level of Drive

Frequency Range	Level of Drive	Units
8000 to 15999kHz	10 (500 max.)	μW
16000 to 24999kHz	10 (300 max.)	
25000 to 54000kHz	10 (100 max.)	

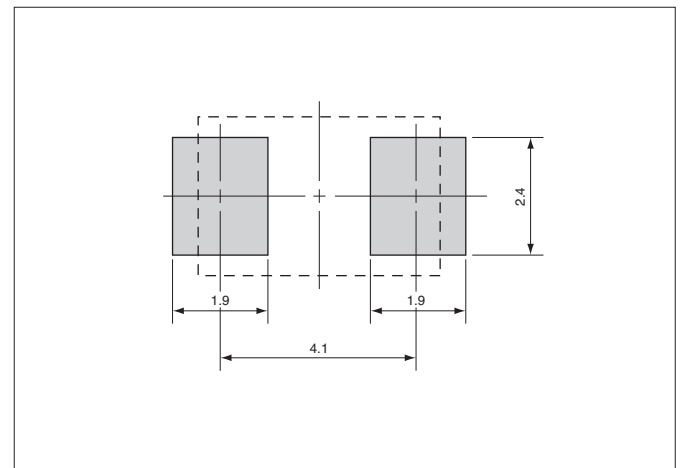
Dimensions

(Unit: mm)



Recommended Land Pattern

(Unit: mm)



8.0×4.5mm for Audio & Visual, Office Equipment



RoHS Compliant

Features

- Crystal unit for audio-visual, office equipment
- Small and low profile (8.0×4.5×1.8mm)
- Ceramic package
- Product with lead free terminations
- Reflow compatible

Applications

- Audio-Visual, Office Equipment

How to Order

CX8045GB 30000

① ② ③ ④ ⑤ ⑥ ⑦

- ① Series
- ② Frequency
- ③ Load Capacitance
- ④ Frequency Stability
- ⑤ Operating Temperature Range
- ⑥ Frequency Temperature Stability
- ⑦ Individual Specification

Typical Frequencies

Code	Frequency (kHz)
14318	14318.180
16000	16000.000
16384	16384.000
16934	16934.400
19660	19660.800
20000	20000.000
21477	21477.720
24000	24000.000
24576	24576.000
27000	27000.000
28636	28636.000
30000	30000.000
32000	32000.000
36000	36000.000
40000	40000.000

Specifications

Item	Symbol	Specification	Units	Remarks
Frequency Range	f _{nom}	5000 to 48000	kHz	
Overtone Order	OT	Fundamental	—	
Frequency Tolerance	f _{tol}	±50	×10 ⁻⁶	@ 25°C
Frequency Temp. Characteristics	f _{tem}	±50 (5000 to 40000kHz) ±100 (40001 to 48000kHz)	×10 ⁻⁶	ref. @ 25°C Over Operating Temp. Range
Motional Series Resistance	R1	Table 1	ohm	
Level of Drive	DL	Table 2	μW	
Load Capacitance	CL	12	pF	
Operating Temp. Range	T _{use}	-10 to +70	°C	
Storage Temp. Range	T _{stg}	-40 to +85	°C	

* Please inquire about specifications other than the above.

Table1 Motional Series Resistances

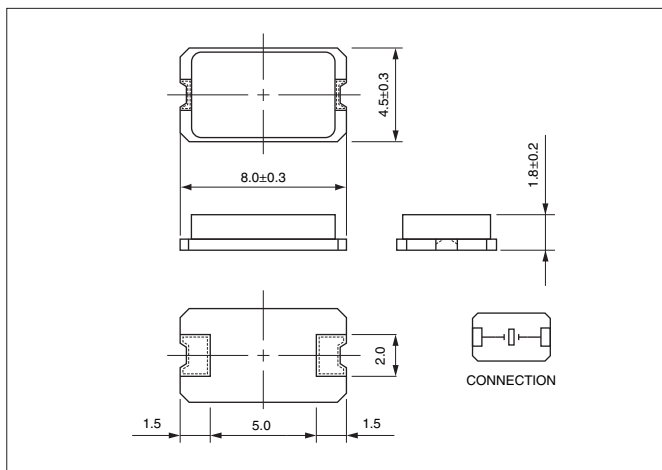
Frequency Range	Motional Series Resistance	Units
5000 to 7199kHz	500 max.	ohm
7200 to 9999kHz	200 max.	
10000 to 11999kHz	150 max.	
12000 to 48000kHz	50 max.	

Table2 Level of Drive

Frequency Range	Level of Drive	Units
5000 to 9999kHz	10 (500 max.)	μW
16000 to 24999kHz	10 (300 max.)	
25000 to 48000kHz (AT)	10 (100 max.)	
40001 to 48000kHz (BT)	10 (300 max.)	

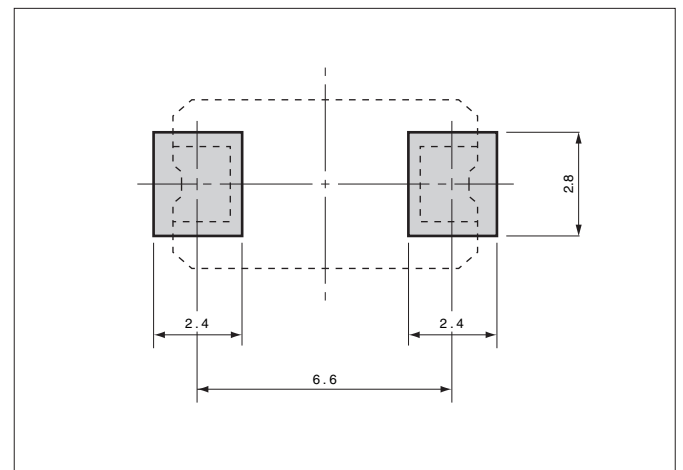
Dimensions

(Unit: mm)



Recommended Land Pattern

(Unit: mm)



11.8×5.5mm for Audio & Visual, Office Equipment



RoHS Compliant

Features

- Crystal unit for audio-visual, office equipment
- Small and low profile (11.8×5.5×1.8mm)
- Ceramic package
- Product with lead free terminations
- Reflow compatible

Applications

- Digital Electronics
- Audio-Visual, Office Equipment

How to Order

CX1255GB 03579 □□ □ □ □ □ □ □
 ① ② ③ ④ ⑤ ⑥ ⑦

- ① Series
- ② Frequency
- ③ Load Capacitance
- ④ Frequency Stability
- ⑤ Operating Temperature Range
- ⑥ Frequency Temperature Stability
- ⑦ Individual Specification

Typical Frequencies

Code	Frequency (kHz)
03579	3579.545
03686	3686.400
04000	4000.000
06000	6000.000
08000	8000.000
12000	12000.000
14318	14318.180
16000	16000.000
16934	16934.400
19660	19660.800
20000	20000.000

Specifications

Item	Symbol	Specification	Units	Remarks
Frequency Range	f _{nom}	3500 to 28999	kHz	
Overtone Order	OT	Fundamental	—	
Frequency Tolerance	f _{tol}	±50	×10 ⁻⁶	@ 25°C
Frequency Temp. Characteristics	f _{tem}	±50	×10 ⁻⁶	ref. @ 25°C Over Operating Temp. Range
Motional Series Resistance	R1	Table 1	ohm	
Level of Drive	DL	Table 2	μW	
Load Capacitance	CL	12	pF	
Operating Temp. Range	T _{use}	-10 to +70	°C	
Storage Temp. Range	T _{stg}	-40 to +85	°C	

* Please inquire about specifications other than the above.

Table1 Motional Series Resistances

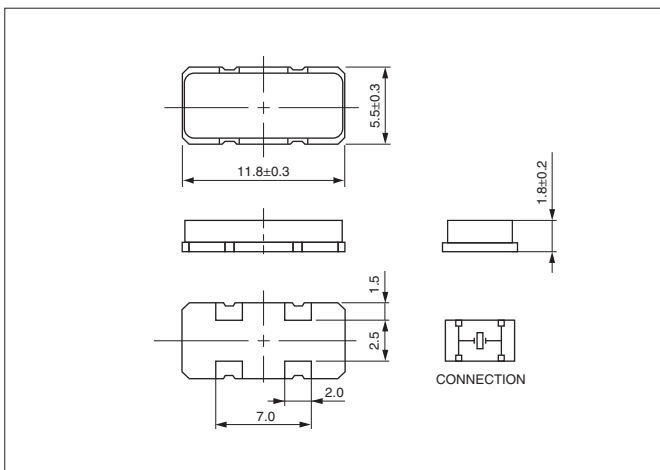
Frequency Range	Motional Series Resistance	Units
3500 to 3999kHz	300 max.	ohm
4000 to 7999kHz	200 max.	
8000 to 11999kHz	120 max.	
12000 to 28999kHz	100 max.	

Table2 Level of Drive

Frequency Range	Level of Drive	Units
3500 to 15999kHz	10 (500 max.)	μW
16000 to 28999kHz	10 (300 max.)	

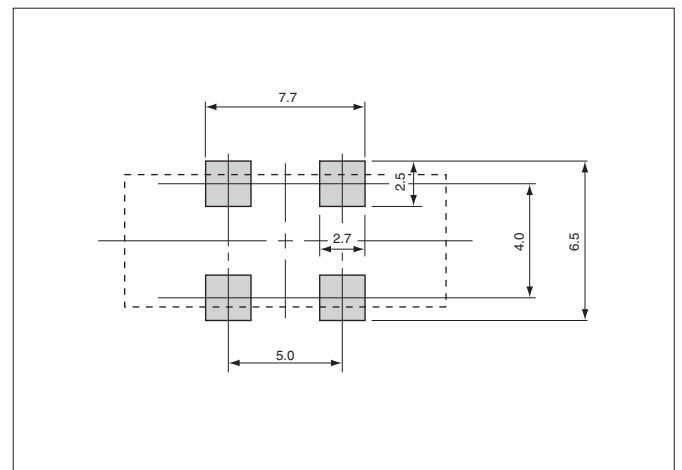
Dimensions

(Unit: mm)



Recommended Land Pattern

(Unit: mm)



for Audio & Visual, Office Equipment



Ph Free

RoHS Compliant

Features

- Crystal unit for audio-visual, office equipment
- Metal package, leaded type
- A resistance weld hermetic sealed type
- Suitable for high density assembly and mass production

Applications

- Digital Electronics
- Audio-Visual, Office Equipment

How to Order

HC49SFWB 06000

① ② ③ ④ ⑤ ⑥ ⑦

- ① Series
- ② Frequency
- ③ Load Capacitance
- ④ Frequency Stability
- ⑤ Operating Temperature Range
- ⑥ Frequency Temperature Stability
- ⑦ Individual Specification

Typical Frequencies

Code	Freq. (kHz)	Code	Freq. (kHz)
03200	3200.000	11000	11000.000
03579	3579.545	11059	11059.200
03686	3686.400	12000	12000.000
04000	4000.000	12288	12288.000
04194	4194.304	13500	13500.000
04332	4332.000	14318	14318.180
04433	4433.619	16000	16000.000
04500	4500.000	16934	16934.400
04915	4915.200	17280	17280.000
06000	6000.000	17734	17734.476
06144	6144.000	20000	20000.000
07200	7200.000	21477	21477.270
07372	7372.000	24000	24000.000
08000	8000.000	24576	24576.000
10000	10000.000	25000	25000.000
10240	10240.000	27000	27000.000
10738	10738.635		

Specifications

Item	Symbol	Specification	Units	Remarks
Frequency Range	f _{nom}	3200 to 33999, 30 to 60 (MHz)	kHz	
Overtone Order	OT	Fundamental, 3rd Overtone	—	
Frequency Tolerance	f _{tol}	±50	×10 ⁻⁶	@ 25°C
Frequency Temp. Characteristics	f _{tem}	±50	×10 ⁻⁶	ref. @ 25°C Over Operating Temp. Range
Motional Series Resistance	R1	Table 1	ohm	
Level of Drive	DL	Table 2	μW	
Load Capacitance	CL	12	pF	
Operating Temp. Range	T _{use}	-10 to +70	°C	
Storage Temp. Range	T _{stg}	-40 to +85	°C	

* Please inquire about specifications other than the above.

Table1 Motional Series Resistances

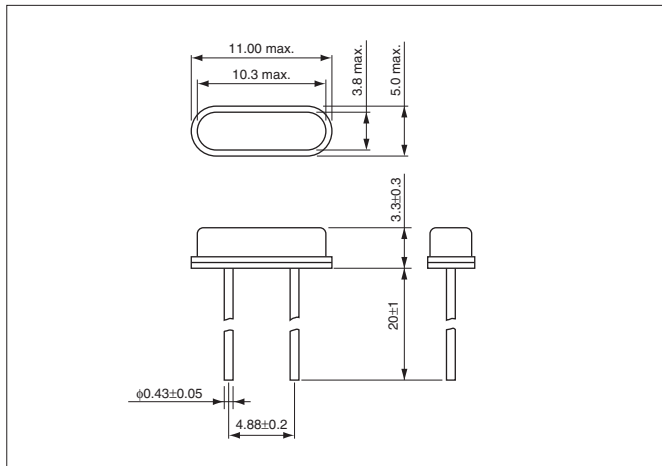
Frequency Range	Motional Series Resistance	Units
3200 to 3499kHz	300 max.	ohm
3500 to 4099kHz	150 max.	
4100 to 4799kHz	120 max.	
4800 to 5999kHz	100 max.	
6000 to 11999kHz	90 max.	
12000 to 13499kHz	70 max.	
13500 to 33999kHz	50 max.	
30 to 60MHz	150 max.	

Table2 Level of Drive

Frequency Range	Level of Drive	Units
3200 to 15999kHz	10 (500 max.)	μW
16000 to 24999kHz	10 (300 max.)	
25000 to 33999kHz	10 (100 max.)	
30 to 60MHz	10 (300 max.)	

Dimensions

(Unit: mm)



for Audio & Visual, Office Equipment



Ph Free

RoHS Compliant

Features

- Crystal unit for audio-visual, office equipment
- Metal package, leaded type
- A resistance weld hermetic sealed type
- Suitable for high density assembly and mass production

Applications

- Digital Electronics
- Audio-Visual, Office Equipment

How to Order

CX49GFWB 03579

① ② ③ ④ ⑤ ⑥ ⑦

- ① Series
- ② Frequency
- ③ Load Capacitance
- ④ Frequency Stability
- ⑤ Operating Temperature Range
- ⑥ Frequency Temperature Stability
- ⑦ Individual Specification

Specifications

Item	Symbol	Specification	Units	Remarks
Frequency Range	f _{nom}	3200 to 33999, 30 to 60 (MHz)	kHz	
Overtone Order	OT	Fundamental, 3rd Overtone	—	
Frequency Tolerance	f _{tol}	±50	×10 ⁻⁶	@ 25°C
Frequency Temp. Characteristics	f _{tem}	±50	×10 ⁻⁶	ref. @ 25°C Over Operating Temp. Range
Motional Series Resistance	R1	Table 1	ohm	
Level of Drive	DL	Table 2	μW	
Load Capacitance	CL	12	pF	
Operating Temp. Range	T _{use}	-10 to +70	°C	
Storage Temp. Range	T _{stg}	-40 to +85	°C	

* Please inquire about specifications other than the above.

Typical Frequencies

Code	Freq. (kHz)	Code	Freq. (kHz)
03200	3200.000	11000	11000.000
03579	3579.545	11059	11059.200
03686	3686.400	12000	12000.000
04000	4000.000	12288	12288.000
04194	4194.304	13500	13500.000
04332	4332.000	14318	14318.180
04433	4433.619	16000	16000.000
04500	4500.000	16934	16934.400
04915	4915.200	17280	17280.000
06000	6000.000	17734	17734.476
06144	6144.000	20000	20000.000
07200	7200.000	21477	21477.270
07372	7372.000	24000	24000.000
08000	8000.000	24576	24576.000
10000	10000.000	25000	25000.000
10240	10240.000	27000	27000.000
10738	10738.635		

Table1 Motional Series Resistances

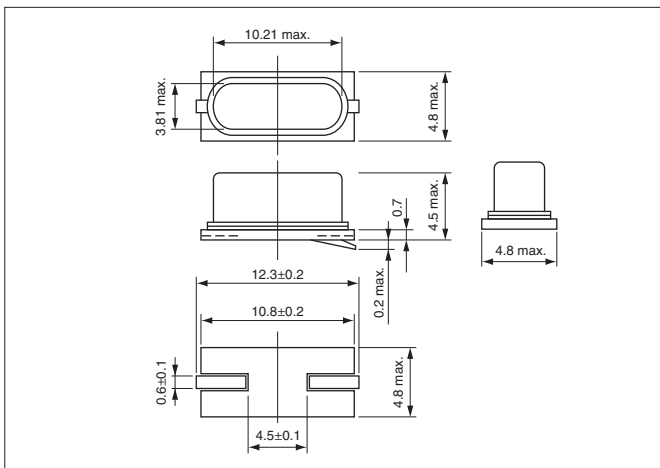
Frequency Range	Motional Series Resistance	Units
3200 to 3499kHz	300 max.	ohm
3500 to 4099kHz	150 max.	
4100 to 4799kHz	120 max.	
4800 to 5999kHz	100 max.	
6000 to 11999kHz	90 max.	
12000 to 13499kHz	70 max.	
13500 to 33999kHz	50 max.	
30 to 60MHz	150 max.	

Table2 Level of Drive

Frequency Range	Level of Drive	Units
3200 to 15999kHz	10 (500 max.)	μW
16000 to 24999kHz	10 (300 max.)	
25000 to 33999kHz	10 (100 max.)	
30 to 60MHz	10 (300 max.)	

Dimensions

(Unit: mm)



Recommended Land Pattern

(Unit: mm)

